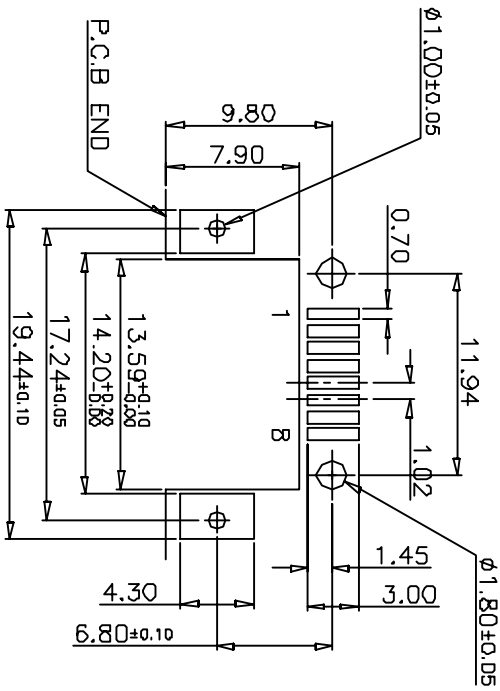
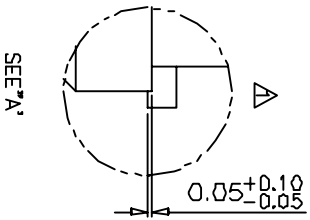
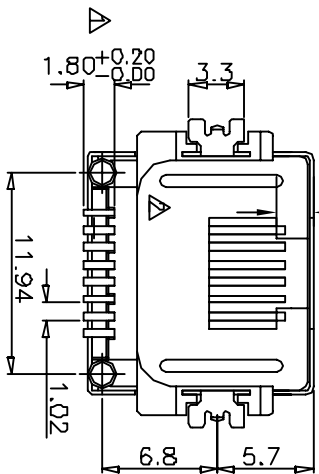
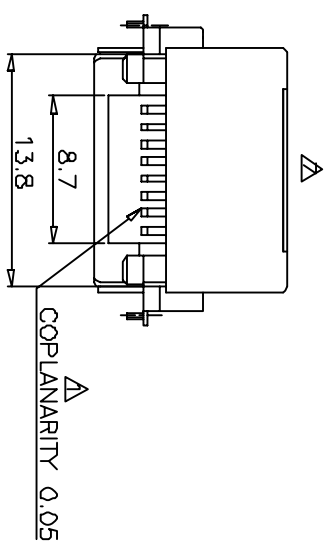
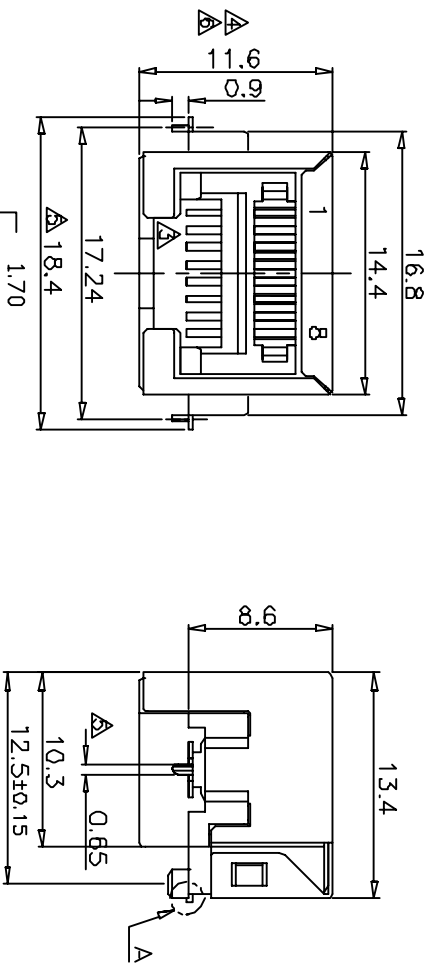


REV.	DESCRIPTION	DATE	CHANGER
A/0	?? ?? ?	2009.3.25	



P.C.B LAYOUT(TOP VIEW)

NOTES:

ELECTRICAL:

- VOLTAGE RATING : 125 VAC RMS.
- CURRENT RATING : 1.5 AMP.
- CONTACT RESISTANCE : 35 MILLIOHMS MAX.
- INSULATION RESISTANCE: 1000 MEGOHMS MIN @ 500 VDC.
- DIELECTRIC STRENGTH : 1000 VAC RMS 60Hz, 1MIN.

MECHANICAL:

- SHIELD MATERIAL : BRASS, $t=0.25\text{mm}$.
- HOUSING MATERIAL : NYLON FR52(HIGH TEMPERATURE) UL94V-0
- CONTACT MATERIAL : PHOSPHOR BRONZE $t=0.35\text{mm}$.
- PLATING : 1: CONTACT AREA- SELECTIVE GOLD PLATING.
2: TAILS- 150u" TIN-LEAD MIN OVER 50u" NICKEL.
- OPERATING LIFE : 750 CYCLES MIN.
- PCB RETENTION POST-SOLDER: 1D LBS MIN.

ENVIRONMENTAL:

- STORAGE : -40°C TO +85°C.
- OPERATION: -40°C TO +85°C.
- MATES WITH MODULAR PLUG CONFORMING TO FCC PART 68, SUBPART F.

TOLERANCE:	DRAWN BY :	DATE :	PART NAME:
X. ±0.35	cherry	2009.8.01	RJ SMT H=8.6
XX ±0.25	CHECKED BY:	DATE :	PART NO.
XXX ±0.15			RJ1-0808003
XXX ±0.05	APPROVED BY:	DATE :	DRAW NO.
X* ±0.5			REMARK
XX* ±1*			

UNIT: mm [inch]